

Micro Miniature Coaxial Switches 26.5 GHz



RLC Electronics' Micro Miniature Coaxial Switch is a single pole two position type. The switch incorporates SMP (GPO) "push on" connectors to allow high density packaging and excellent electrical

performance through 26.5 GHz, also available with pin configuration. The switch is available in failsafe and latching configurations with a choice of three different frequency ranges and three different coil voltages.

Specifications SR-2min-min-G-1-2-3

Switch Type	Single Pole Two Position			
Frequency (GHz)	DC-8	8-12.4	12.4-18	18-26.5
Insertion Loss (dB Max.)	0.3	0.4	0.7	0.8
VSWR (Max.)	1.35	1.5	1.7	1.8
Isolation (dB Min.)	70	60	60	50

Power Rating RF Cold Switching: See catalog

Impedance: 50 ohms

Operating Power 25°C (mA nominal): 5 Vdc at 310mA, 12 Vdc at 130mA and 28 Vdc at 75mA

RF Connectors: SMP male full detent

Power Connections: 0.018 dia. pins

Life: 1,000,000 operations

Switching Time: 15 milliseconds max.

Weight: 1 oz.

Environmental Conditions: MIL-S-3928

Operating Mode: Failsafe or Latching

Switching Sequence: Break before make

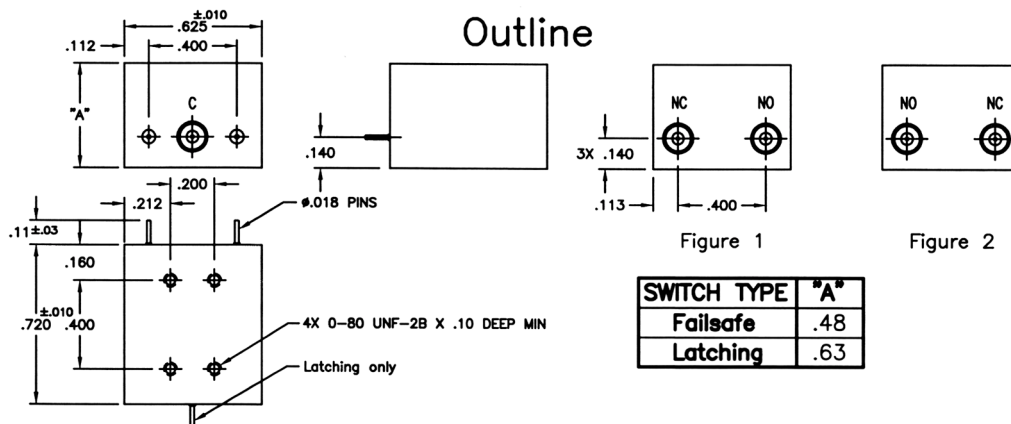
- (1) "E" for 5 volt coil
"H" for 12-15 volt coil
"D" for 24-28 volt coil

To designate the switch desired use:

- (2) "8" for DC-8 GHz
"18" for DC-18 GHz
"26" for DC-26.5 GHz

- (3) "A" for failsafe Figure 1
"B" for failsafe Figure 2
"L" for Latching

Example: SR-2 min-min-G-D-26-L is SPDT, 24-28 Vdc, DC -26.5 GHz, Latching Switch



Specials requiring closer tolerances, different frequency ranges, special connectors, different materials, finishes, etc can be furnished upon request.



RLC ELECTRONICS, INC.

83 Radio Circle, Mount Kisco, New York 10549 Telephone 914-241-1334 Fax 914-241-1753
e-mail: sales@rlcelectronics.com