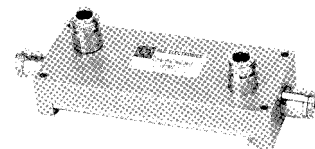


Cellular Band Single and Dual Directional Couplers



RLC Electronics' Cellular Directional Couplers exhibit high directivity, low insertion loss and low VSWR over their respective

bandwidths. These basic units may be easily optimized for your particular frequency range.

Specifications

CC-1-2-3-4

Model Number	Frequency Range (MHz)	Directivity (dB) (Min)	VSWR (Max)	Insertion Loss (dB) (Max)
CC-*-800-100-	750-850	25	1.15	.20
CC-*-850-100-	800-900	25	1.15	.20
CC-*-900-100-	850-950	25	1.15	.20
CC-*-950-100-	900-1000	25	1.20	.20
CC-*-1100-200-	1000-1200	20	1.20	.25

Coupling(Nominal): 6±0.5dB, 10±0.5dB, 20±1.0dB
 (Reference to Output) 30±1.0dB, 40±1.0dB, 50±1.5dB
Power: 500 watts avg
Impedance: 50 Ohms

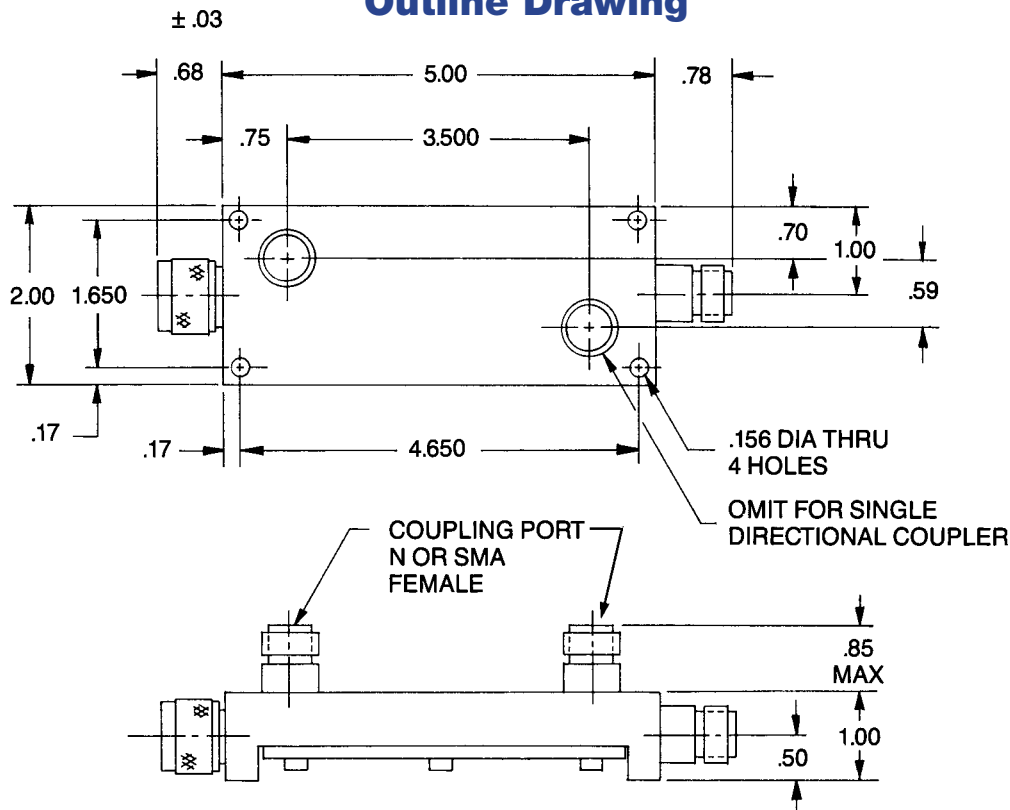
Flatness: ±0.2dB (6 thru 40 dB) ±0.5dB(50dB)
Connector Type: SMA, N
Environment: MIL-E-5400, Class 1A

To designate coupler desired use:

- (1) S for single or D for Dual
- (2) 800, 850, etc for model number
- (3) Coupling value in dB 6, 10, 20, 30, 40 or 50
- (4) Connector type: Main Line N (female/male)
 Secondary Line R for SMA (female). N for N (female)

Example: CC-D-850-100-30-R is a 30 dB dual coupler, 800-900 MHz frequency range, with SMA coupling connectors.

Outline Drawing



RLC ELECTRONICS, INC.

83 Radio Circle, Mount Kisco, New York 10549 • Telephone: 914-241-1334 • Fax: 914-241-1753
 e-mail: sales@rlcelectronics.com • www.rlcelectronics.com