

Low Frequency High Power Directional Couplers



RLC Electronics' low frequency high power directional couplers offer accurate coupling, low insertion loss and high directivity in a compact package. The standard units are optimized for octave bandwidths and are available with a choice of coupling

values. These units are ideal for sampling power with a negligible effect on the transmission line and very low intermodulation products.

Specifications

LCHP-0205⁻¹⁻²

LCHP-0510⁻¹⁻²

Model Number	Frequency Range (GHz)	Directivity (Min.)	Primary VSWR (Max.)	Secondary VSWR (Max.)	Insertion Loss (Max.)
LCHP-0205-	250 – 500	25dB	1.15	1.15	.15 dB
LCHP-0510-	500 – 1000	25dB	1.15	1.15	.20 dB

Impedance: 50 ohms

Power: 500 watts avg., 5kw peak

Coupling (NOM): 20 or 30dB

Accuracy (includes frequency variation): ± 1.25 dB

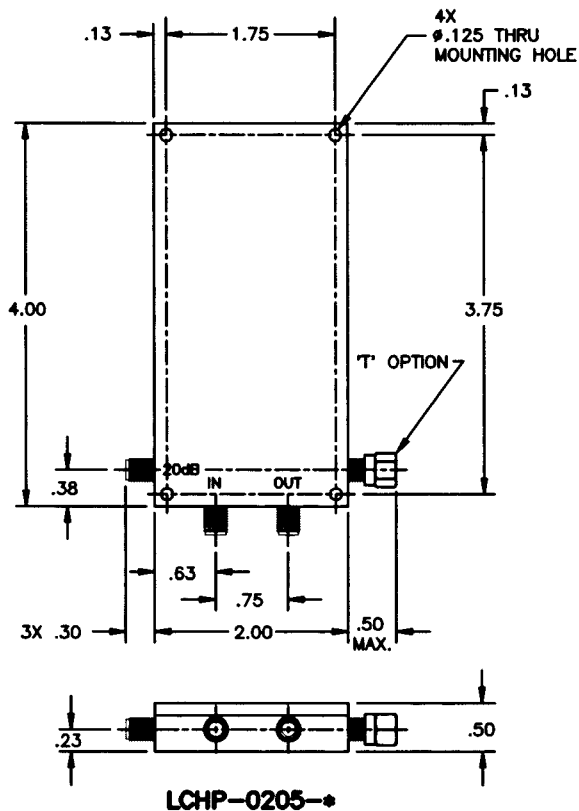
Intermodulation: Better than -130dBc

Connectors: 'SMA' female

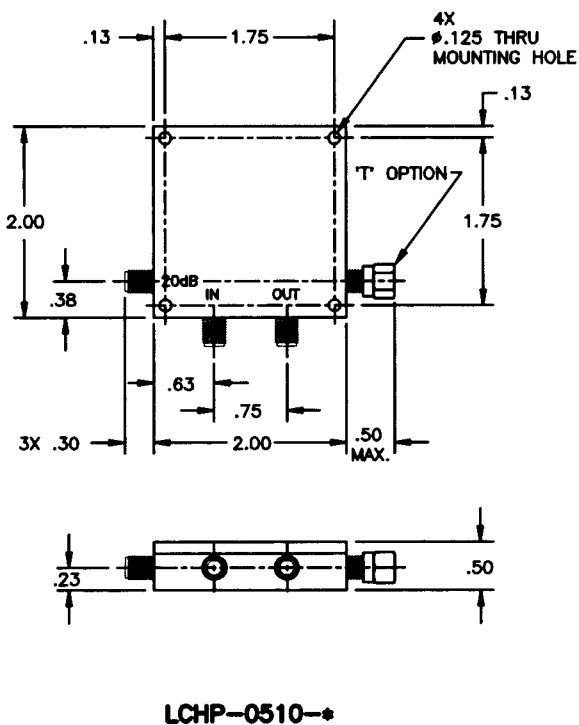
To designate the switch desired use:

(1) Coupling value 20 or 30

Example: LCHP-0205-20-T is a 250-500 MHz, 20dB coupler with 2 watt termination.



Outline Drawing



RLC ELECTRONICS, INC.

83 Radio Circle, Mount Kisco, New York 10549 • Telephone: 914-241-1334 • Fax: 914-241-1753
e-mail: sales@rlcelectronics.com • www.rlcelectronics.com

