

# Surface Mount Coaxial Switches



This RLC Electronics' Surface Mount Coaxial Switch is a single pole two position type suitable for surface mount/ drop-in

applications while maintaining the excellent electrical and mechanical characteristics of the connectorized version.

## Specifications

S<sup>1</sup>-2 MIN<sup>2-3-4-5-6-7-8</sup>

Switch Type	SINGLE POLE TWO POSITION		
Frequency Range	DC-18GHz		
Frequency (GHz)	DC-4.0	4.0-12.4	12.4-18.0
Insertion Loss (Max dB)	0.2	0.3	0.4
VSWR (Max)	1.2	1.3	1.5
Isolation (dB Min)	60	60	60

**Power Rating, RF Cold Switching:** See page 5.

**Impedance:** 50 Ohms

**Operating Power 25°C:**

**(Failsafe):** 12Vdc at 250 ma nom.

28Vdc at 140 ma nom. 115 Vac at 50 ma nom.

**(Latching):** 12 Vdc at 120 ma nom. 28 Vdc at 60 ma nom. 115 Vac at 43 ma nom. Current applied 10 ms min. cutthroat standard, recovery time 100 ms nom.

**Connectors, RF:** .020 Dia. Pins or Solder Tabs .050 Wide.

**Connectors, Power:** Feed through solder lugs.

**Life:** 1,000,000 operations.

**Switching Time:** 15 mS Max.

**Weight:** 2 oz.

**Environmental Conditions:** MIL-S-3928

**Operating Mode:** Manual, failsafe or latching.

**Switching Sequence:** Break before make.

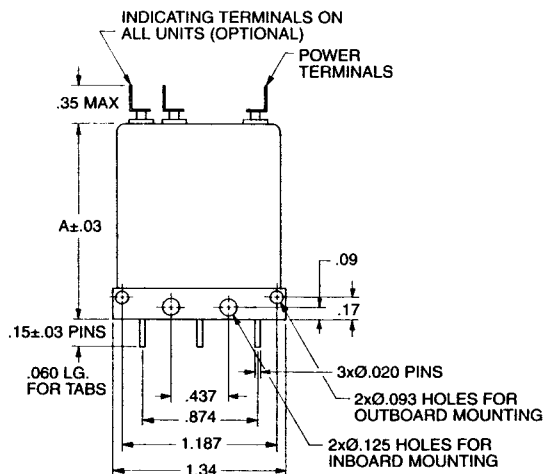
### To designate the switch desired use:

- (1) "M" for Manual, "R" for Remote.
- (2) "Min" for outboard mountings or "Minin" for inboard mountings.
- (3) "A" for 115 Vac, "D" for 28 Vdc or "H" for 12 Vdc.
- (4) "I" for indicators if desired.

- (5) "L" for latching cutthroat if desired.
- (6) "TL" for TTL Driver if desired
- (7) "Arc" for Arc Suppression diodes.N/A for TTL and Latching
- (8) "P" for pins, "TAB" for tabs.

Example: SR-2 min-D-P is a remote, outboard mounting, 28 Vdc; Failsafe switch with pin connectors

## Outline Drawing



MODEL NO.	A
SR-2 Min-D	1.18
SR-2 Min-D-I	1.59
SR-2 Min-D-L	1.60
SR-2 Min-D-I-L	1.81
SR-2 Min-D-TL	1.85
SR-2 Min-D-I-TL	1.85
SR-2 Min-D-I-L-TL	1.81
Add to Above For 115 VAC	.42
2 Minin and 2 Min-H Units same as 2 Min	
Width of all units .50 in	

Tolerances unless otherwise specified are: .xx, ± .02; .xxx, ± .005.



**RLC ELECTRONICS, INC.**

83 Radio Circle, Mount Kisco, New York 10549 • Telephone: 914-241-1334 • Fax: 914-241-1753  
e-mail: sales@rlcelectronics.com • www.rlcelectronics.com