

BROAD BAND STRIPLINE COUPLERS

700 MHz to 7 GHz



RLC Electronics Stripline couplers are designed to cover the frequency band from below Cellular to above the 5 GHz wireless

LAN frequencies. These units offer low loss, low VSWR, flat coupling, and excellent directivity.

Specifications

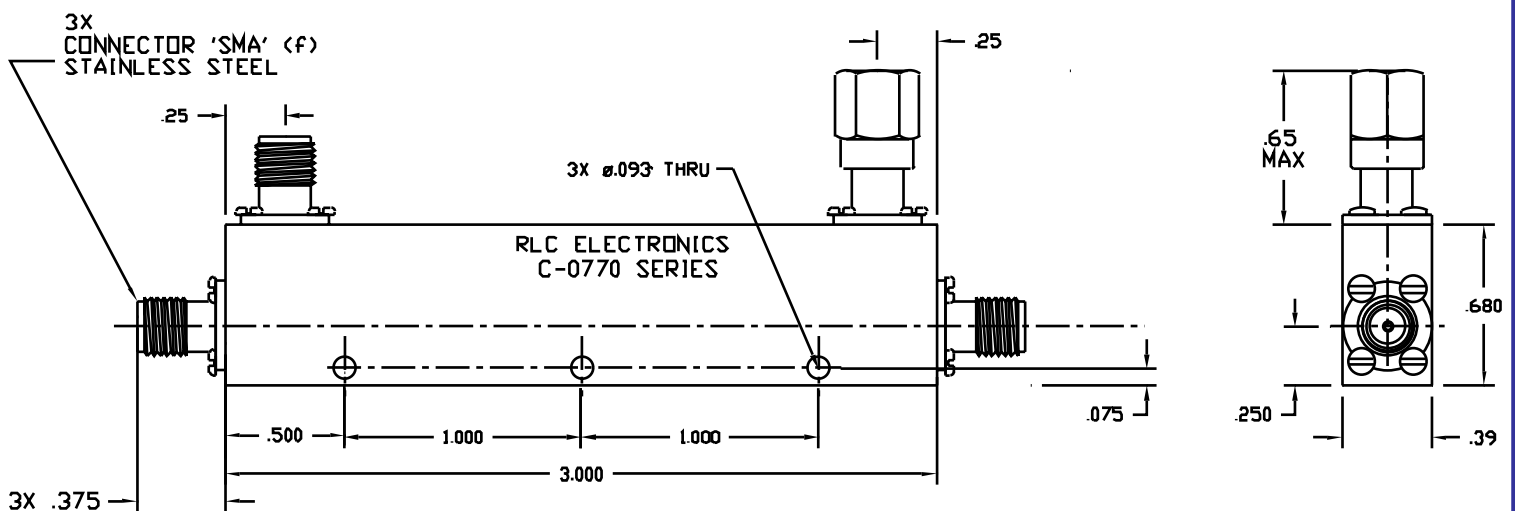
C-0770-*-R

Model No	Frequency (Ghz)	Coupling	Directivity Min (dB)	VSWR Max	Frequency Deviation (dB)	Loss (Max (dB))
C-0770-10-R	.70 – 7.0	10	20	1.25:1	+/- 1.0	.6
C-0770-16-R		16				
C-0770-20-R		20				

Impedance: 50 ohms
Power: 50 watts average
 5 KW peak

Connectors: SMA female
Temperature: -55 to +85 deg. C
Environmental Conditions: MIL-E-5400, Class 1A

Outline Drawing



Specials requiring closer tolerances, different frequency ranges, special connectors different materials, finishes, etc. can be furnished upon request.



RLC ELECTRONICS, INC.

83 Radio Circle, Mount Kisco, New York 10549 Telephone 914-241-1334 Fax 914-241-1753
 e-mail: sales@rlcelectronics.com www.rlcelectronics.com